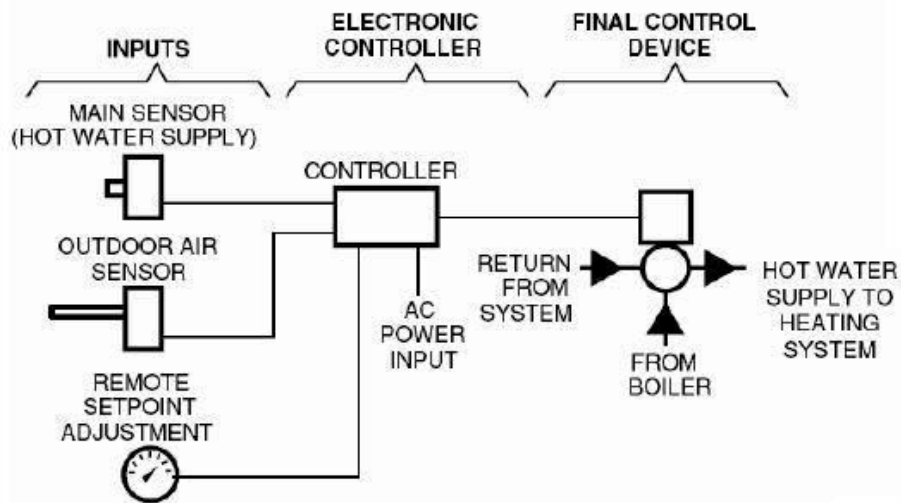


Name: -

No.

For the following figure, it is required to sketch the micro-controlled Input-output interfacing schematic diagram showing how one can choose the best sampling time?



Simple electronic control system